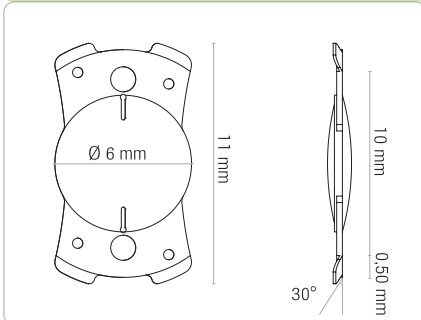


ALSAFIT

Monofocal Intraocular Lens



MONOFOCAL	Aspheric, 4 Adjustable Haptic Fins
Optic	6.00 mm, Biconvex, Aspheric, Aberration Correction (-0,165 µm)
Overall Ø	11.00 mm, Modified plate haptic with ALSADJUST Technology*
Fin	4 flexible adjustable haptic fins
Hole	6 positioning & cleaning holes
Haptic Angle	0°
Haptic Fins Angle	30°
Recommended Ac. A Constant	118.0
Recommended Op. A Constant	SRK-T: 118.4 - SRK-II: 118.6
Diopter Power Range	From 0.0 D to +32.00 D (0.50 D increments)
Special Production	From -20.00 D to -0.50 D and +32.50 D to +45.00 D
Refractive Index Wet	20°C /35°C 1.462 / 1.462 ± 0.002 @546 nm
Injection System	AlsaJET (1.8 mm and 2.2 mm)



* 4 flexible (up&down), self adjustable haptic fins for customized adaptation to various capsular bag dimensions.

ALSANZA
Medizintechnik und Pharma GmbH

www.alsanza.com

Hermann-Burkhardt-Straße 3 72793 Pfullingen Germany
info@alsanza.com



MONOFOCAL

ALSAFIT



**never too large, never too small,
always fitting**

Premium monofocal IOL fitting all capsular bags
Solves the weaknesses of standard plate-haptic IOLs

MICS

Bi-Aspheric

ALSQUARE 360° edge design

Modified plate-haptic design IOL with ALSADJUST Technology*

6 positioning & cleaning holes

MORE INFO



ALSANZA
Medizintechnik und Pharma GmbH